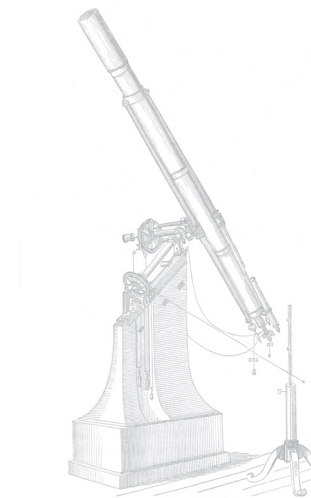




Interdisciplinary Workshop in History of Science

ANGELO SECCHI(1818-1878) SJ: THE SCIENTIST AND HIS TIME



Please confirm your attendance

Organizing Secretariat

c/o Accademia Nazionale delle Scienze detta dei XL
Via L. Spallanzani 7 – 00161 Roma
tel.-fax. +39 6 44250054
info@bicentenarioangelosecchi.it
www.bicentenarioangelosecchi.it

Rome, September 6th, 2018
Biblioteca Casanatense
Via di Sant'Ignazio 52



PROGRAMME

8.45-9.00: **Welcome addresses**
EMILIA CHIANCONE
President, Accademia Nazionale delle Scienze detta dei XL
LUCIA MARCHI
Director, Biblioteca Casanatense

Session I - Angelo Secchi: a man, a Jesuit, a scientist

Chairperson CHRISTOPHER CORBALLY SJ, *Vatican Observatory*

9.00-9.30 *I gesuiti e l'astronomia*
U. BALDINI, *University of Padua*

9.30-10.00 *GATE (Gregorian Archives Texts Editing): a collaborative research environment for the Angelo Secchi correspondence*
M. MORALES and L. MANCINI, *Historical Archive of the Pontifical Gregorian University*

10.00-10.30 *The unachieved Secchi Monument at Reggio*
F. BONOLI, *University of Bologna*; A. MANDRINO, *INAF-Brera Astronomical Observatory*

10.30-11.00 *Angelo Secchi: some recent biographic studies*
I. CHINNICI, *INAF-Palermo Astronomical Observatory*

11.00-11.30: Coffee Break

11.30-12.00 *The Collegio Romano Observatory*
A. ALTAMORE, *Roma Tre University*

12.00-12.30 *Secchi and meteorology in Italy*
L. IAFRATE and M. C. BELTRANO, *CREA-AA, Rome*

12.30-13.00 *The impulse given by Angelo Secchi to the development of Terrestrial Physics in Italy*
M. PAROTTO and A. ARGENTIERI, *Italian Geological Society*

13.00-13.30: Discussion

13.30-14.30 *Lunch*

Session II - Fr. Secchi and the Science of his Time

Chair: A. RASCHI, *IBIMET-CNR*

14.30-15.00 *Angelo Secchi and the development of Spectroscopy*
K. HENTSCHER, *University of Stuttgart, Germany*

15.00-15.30 *The history of Secchi disk*
O. ZIELINSKI and M. R. WERNAND, *Institute for Chemistry and Biology of the Marine Environment, University of Oldenburg, Germany*

15.30-16.00 *Angelo Secchi, natural philosopher and instrument innovator to the Vatican*
K. JOHNSON, *Society for the History of Astronomy, UK*

16.00-16.30: Coffee Break

16.30-17.00 *Angelo Secchi and the Universal Gravitation in the frame of "The Unity of Physical Forces"*
R. CAPUZZO DOLCETTA, *La Sapienza University, Rome*

17.00-17.30 *The geodetic base in Via Appia*
T. AEBISCHER, *SISFA (Italian Society for the History of Physics and Astronomy)*

17.30-18.00: Discussion and conclusions

Scientific Organizing Committee

Chair Ileana Chinnici (INAF-OAPa)

Members Tullio Aebischer (SISFA)
Aldo Altamore (Roma Tre)
Maria Carmen Beltrano (ex CREA-AA)
Fabrizio Bonoli (UniBo)
Luigi Iafrate (CREA-AA)

